

BENEFITS

Reliable and Robust Design

Proven track record for durability and longevity

High Efficiency

Weighted CEC efficiency over 95% and peak efficiency over 96%

Reduced Installation Cost

Integrated DC disconnect with fuses lowers material costs and labor requirements

Attractive Aesthetics

Integrated disconnect eliminates need for visible conduits to inverter

Ideal Output

Ideal for residential applications



3000m & 4000m INVERTERS

EXCEPTIONAL RELIABILITY AND PERFORMANCE

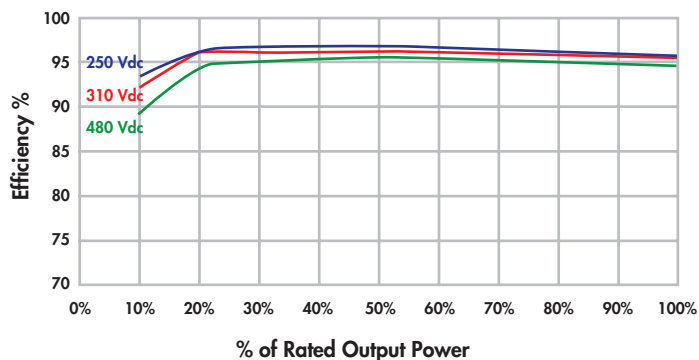


The SunPower inverters 3000m and 4000m provide exceptional reliability combined with superior performance. Innovative design and advanced testing have been brought together to create a durable inverter that enables optimal system performance over the long term. Both models come with a standard 10-year warranty.

Electrical Data

	SPR-3000m	SPR-4000m
AC Power	3000 W	3500 W @ 208 V / 4000 W @ 240 V
AC Maximum Output Current (@ 208V, 240V)	15A, 12.5A	17A, 16.6A
AC Nominal Voltage / Range	183 – 229 V @ 208 VAC 211 – 264 V @ 240 VAC	183 – 229 V @ 208 VAC 211 – 264 V @ 240 VAC
AC Frequency / Range	60 Hz / 59.3 Hz – 60.5 Hz	60 Hz / 59.3 Hz – 60.5 Hz
Power Factor	1	1
Peak Inverter Efficiency	96.6%	96.8%
CEC Weighted Efficiency	95.0 % @ 208 V 95.5 % @ 240 V	95.5 % @ 208 V 96.0 % @ 240 V
Recommended Array Input Power (DC @ STC)	3600 W	4800 W
DC Input Voltage Range	200 – 500 V @ 208V 200 – 500 V @ 240V	250 – 600 V @ 208 VAC 250 – 600 V @ 240 VAC
Peak Power Tracking Voltage	180 – 400 V @ 208 VAC 200 – 400 V @ 240 VAC	220 – 480 V @ 208 VAC 250 – 480 V @ 240 VAC
DC Max. Input Current	17 A	18 A
DC Voltage Ripple		< 5%
No. of Fused String Inputs		4
Power Consumption: Standby / Nighttime		< 7 W / 0.1 W
Fused DC Disconnect		Standard; Complies w NEC Standards
Grounding		Positive Ground

SPRm Efficiency Curves

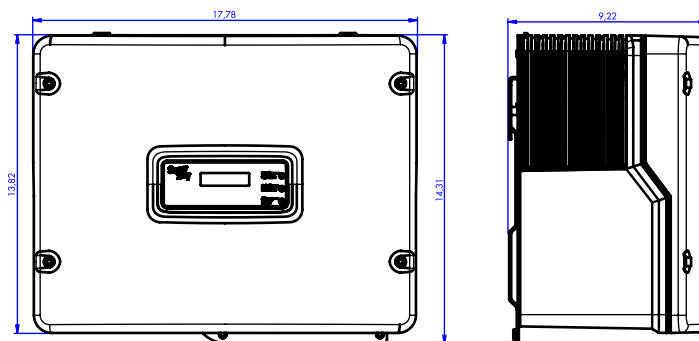


Mechanical Data

Shipping Dimensions W x H x D inches	23.5" x 18.5" x 16.0"
Unit Dimensions W x H x D inches	17.8" x 13.8" x 9.3"
Inverter Weight	88 lbs
Shipping Weight	94 lbs
Cooling	Forced Air / Sealed Electronics Enclosure
Enclosure	NEMA 3R
Mounting	Wall Mount Bracket Standard
Ambient Temperature Range	-13 to +113 °F

Warranty and Certifications

Warranty	10 year limited warranty
Certifications	Compliance: IEEE-929, IEEE-1547, UL 1741-2005, UL 1998, FCC Part 15 A & B



About SunPower

SunPower designs, manufactures and delivers high-performance solar electric technology worldwide. Our high-efficiency solar cells generate up to 50 percent more power than conventional solar cells. Our high-performance solar panels, roof tiles and trackers deliver significantly more energy than competing systems.