

BENEFITS

Reliable and Robust Design

Proven track record for durability and longevity

Effective Power Range

Enables most systems to use a single inverter rather than multiple units

Commercial Use

Flexible AC voltage output and scalable building blocks create an easy solution for commercial applications

High Efficiency

Weighted CEC efficiency of at least 95.5% and peak efficiency of at least 96.5%

Reduced Installation Cost

Integrated DC disconnect with fuses lowers material costs and labor requirements

Attractive Aesthetics

Integrated disconnect eliminates need for visible conduits to inverter



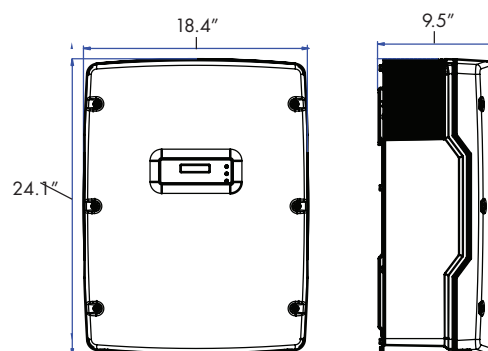
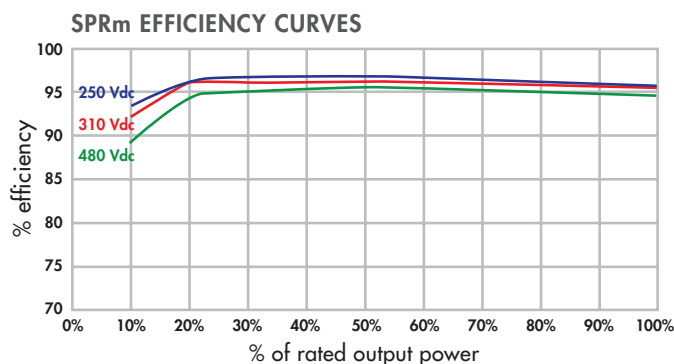
SunPower SPR-5000m, -6000m, -7000m and -8000m inverters offer superior reliability and performance and can be easily integrated into residential or commercial installations. All models are backed by a 10-year warranty.



Electrical Data				
String Inverters	SPR-5000m	SPR-6000m	SPR-7000m	SPR-8000m
AC Nominal Power	5000 W	6000 W	7000 W	7680 W @ 240 V 8000 W @ 277 V
AC Max Output Current (@ 208V, 240V, 277V):	24 A, 21A, 18A	29A, 25A, 22A	34A, 29A, 25A	N/A, 32A, 29A
AC Nominal Voltage / Range	183 – 229 V @ 208 V 211 – 264 V @ 240 V 244 – 305 V @ 277 V	183 – 229 V @ 208 V 211 – 264 V @ 240 V 244 – 305 V @ 277 V	183 – 229 V @ 208 V 211 – 264 V @ 240 V 244 – 305 V @ 277 V	N/A @ 208 V 211 – 264 V @ 240 V 244 – 305 V @ 277 V
AC Freq / Range	60 Hz / 59.3 Hz – 60.5 Hz	60 Hz / 59.3 Hz – 60.5 Hz	60 Hz / 59.3 Hz – 60.5 Hz	60 Hz / 59.3 Hz – 60.5 Hz
Power Factor (Nominal)	0.99	0.99	0.99	0.99
Peak Inverter Efficiency	96.8%	97.0%	97.1%	96.5%
CEC Weighted Efficiency	95.5% @ 208 V 95.5% @ 240 V 95.5% @ 277 V	95.5% @ 208 V 95.5% @ 240 V 96.0% @ 277 V	95.5% @ 208 V 96.0% @ 240 V 96.0% @ 277 V	N/A @ 208 V 96.0% @ 240 V 96.0% @ 277 V
Recommended Maximum PV Power (Module @ STC)	6250 W	7500 W	8750 W	10000 W
DC Input Voltage Range	250 – 600 V	250 – 600 V	250 – 600 V	300 – 600 V
Peak Power Tracking Voltage	250 – 480 V	250 – 480 V	250 – 480 V	300 – 480 V
DC Max. Input Current	21A	25A	30A	30A
DC Voltage Ripple	4%	4%	4%	4%
No. of Fused String Inputs	4	4	4	4
Power Consumption: Operation/Nighttime	<7W / 0.1 W			
Topology	Low frequency transformer			
Fused DC Disconnect	Standard; Complies with NEC Standards			
Electrical Grounding	Configurable in the field with integrated grounding kit: SunPower™ Solar Panels: DC circuit positively grounded Serengeti™ Solar Panels: DC circuit negatively grounded			

Mechanical Data	
SPR-5000m, SPR-6000m, SPR-7000m and SPR-8000m	
Shipping Dimensions W x H x D (inches)	23.5" x 31.0" x 16.0"
Unit Dimensions W x H x D (inches)	18.4" x 24.1" x 9.5"
Inverter Weight	141 lbs for SPR-5000m, -6000m and -7000m / 148 lbs for SPR-8000m
Shipping Weight	148 lbs for SPR-5000m, -6000m and -7000m / 152 lbs for SPR-8000m
Cooling	Forced Air / Sealed Electronics Enclosure
Enclosure	NEMA 3R
Mounting	Wall Mount Bracket Standard
Ambient Temperature Range	-13 to +113 °F

Warranty and Certifications	
Warranty	10 year limited warranty
Certifications	Compliance: IEEE-929, IEEE-1547, UL 1741, UL 1998, FCC Part 15 A & B



About SunPower

Founded in 1985, SunPower Corp. (Nasdaq: SPWRA, SPWRB) designs, manufactures and delivers the planet's most powerful solar technology. Residential, business, government and utility customers rely on the company's experience and proven results to maximize return on investment.